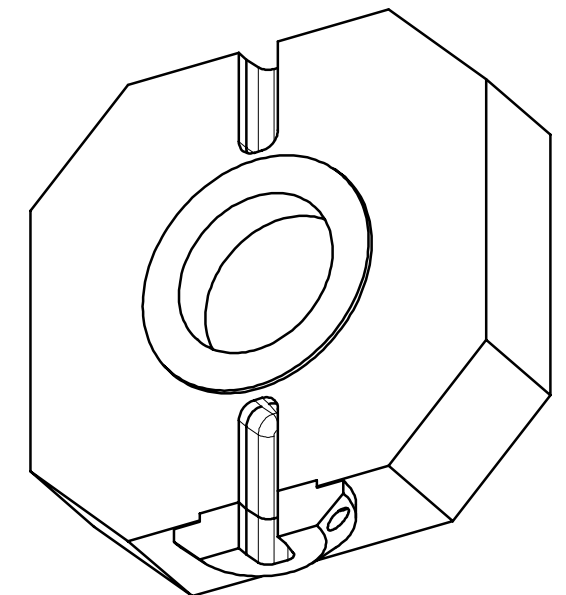
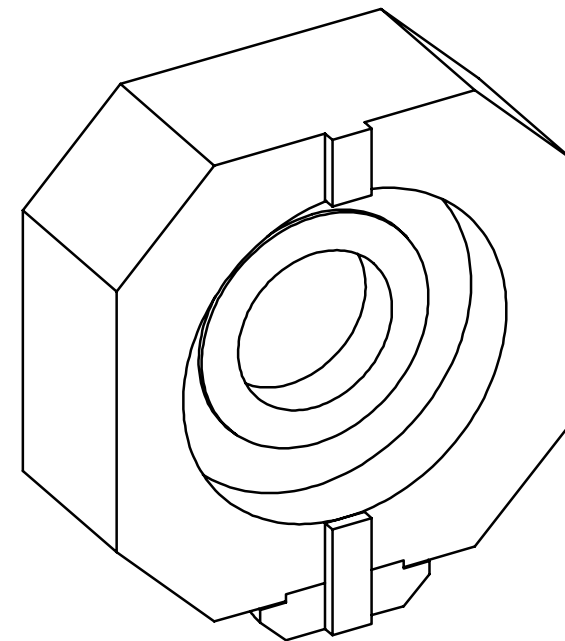
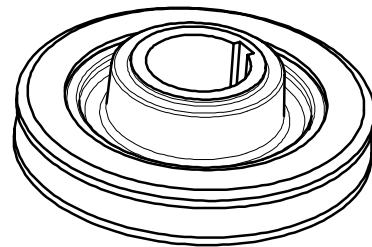


DETTAGLIO g  
SCALA 1:2



DENOMINATION STUDIO CONCHIGLIA MOZZI				PESO kg	MATERIAL
GENERAL LINEAR TOLERANCE UNI ISO 2768/1 - m	CHAMFER AND FILLET NON INDICATED UNI ISO 2768/1 - m	GENERAL ANGULAR TOLERANCE UNI ISO 2768/1 - m	GENERAL GEOMETRIC TOLERANCE UNI ISO 2768/2 - K	NOTES -	
 VIA RIVAROSSA Z. I. - ROMANS D'ISONZO (GO) - ITALY TEL. +39-0481-908717 - FAX. +39-0481-909388	SIZE A3		SCALE 1:5	DESIGNER CM	DRAWING NUMBER 0106122
	FINISH ( )		DATE 18/12/2012	APPROVED CS	REV. 0

DESCRIPTION OF LAST MODIFY  
0 - PRIMA EMISSIONE - CM - 07/01/2013

VERIFICARE REVISIONE DI SEGNO CON CODICE ARTICOLO SU DISTINTA E/O ORDINE.